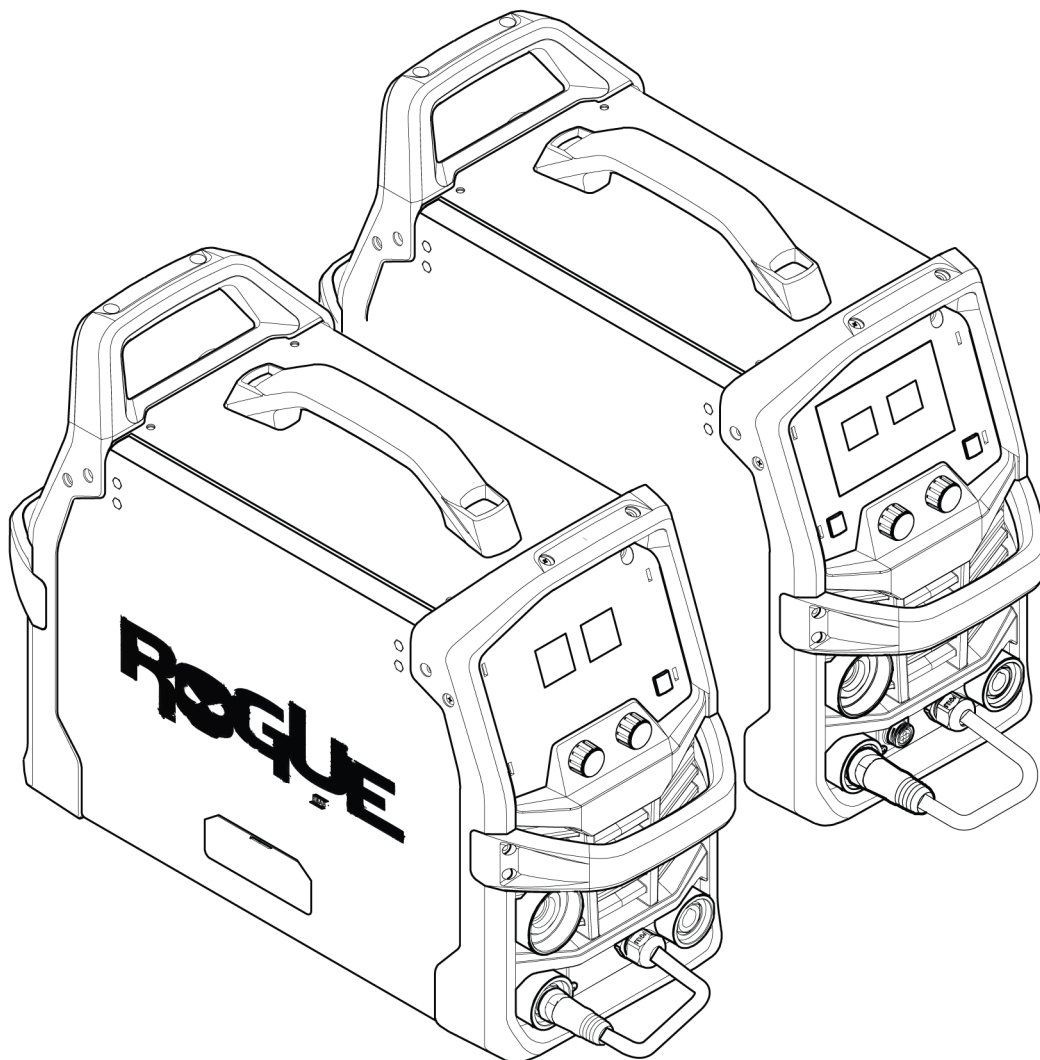


# ***ROGUE EM 125, ROGUE EM 140***



## **Spare parts list**

<b>Ordering no.</b>	<b>Denomination</b>	<b>Note</b>
0700 301 081	Rogue EM 125	Welding power source
0700 301 082	Rogue EM 140	Welding power source

Spare parts may be ordered through your nearest ESAB dealer, see [esab.com](http://esab.com). When ordering, please state product type, serial number, denominations and ordering numbers according to the spare parts list. This facilitates dispatch and ensures correct delivery.

Maintenance and repair work should be performed by an experienced person, and electrical work only by a trained electrician. Use only recommended spare parts.

For accessories to the product, see the instruction manual.

The three last digits in the document number of the manual show the version of the manual. Therefore they are replaced with \* here. Make sure to use a manual with a serial number or software version that corresponds with the product, see the front page of the manual.

TABLE OF CONTENTS

---

- 1 SPARE PARTS ..... 4**
  - 1.1 Housing module ..... 4**
  - 1.2 Connection parts ..... 6**
  - 1.3 User interface ..... 8**
  - 1.4 Spool hub assembly Rogue EM 125 ..... 9**
  - 1.5 Spool hub assembly Rogue EM 140 ..... 10**

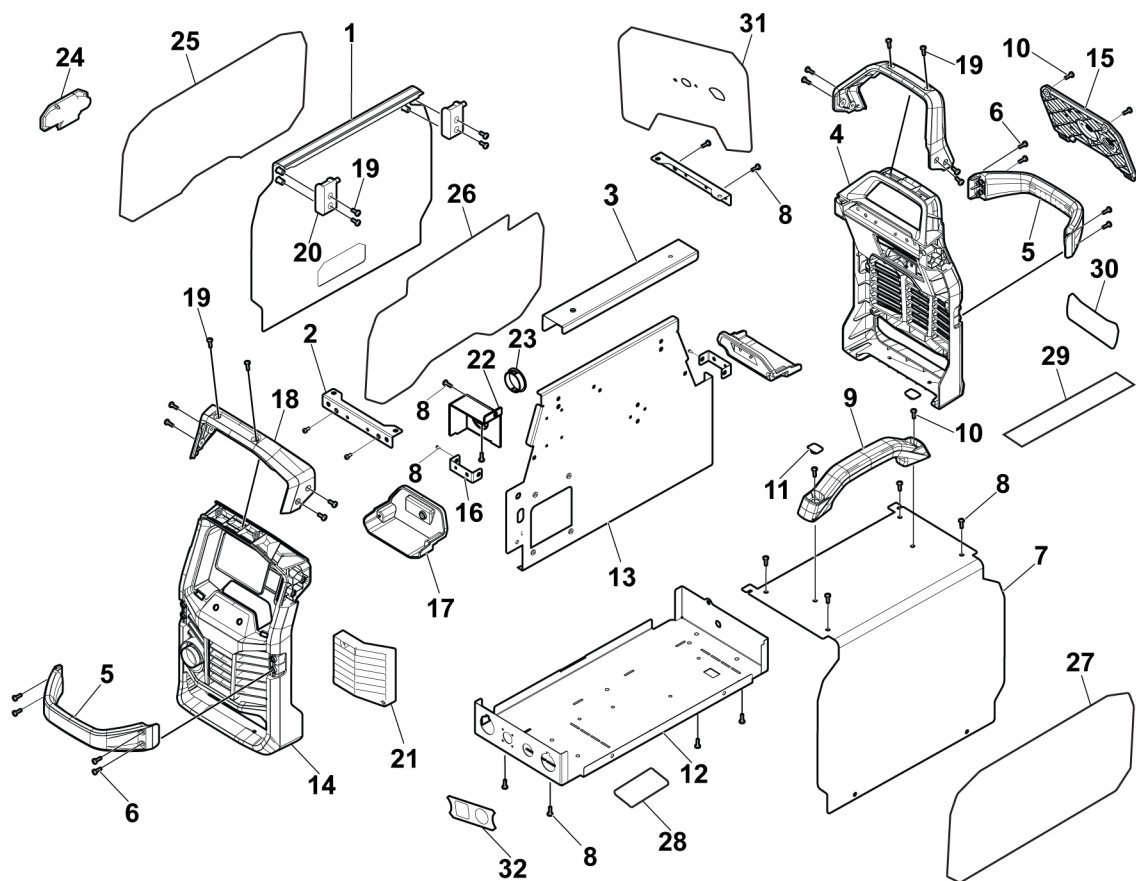
# 1 SPARE PARTS

## 1.1 Housing module

C = Component designation in the circuit diagram					
Item	Qty	Ordering no.	Denomination	Notes	C
1	1	0558 102 972	Panel, door, Rogue (no label)		
2	2		Bracket, connecting, front/rear		
3	1		Bracket, connecting, handle, lifting		
4	1	0558 111 142	Panel, rear, EM/EMP/ET		
5	2	0558 111 143	Handle, front/rear, EM/EMP		
6	10		Screw, pan head, M4x12, T-20, black		
7	1	0558 102 983	Cover, Rogue EM/EMP (no label)		
8	20		Screw, pan head, M5x12, T-25, black		
9	1	0464 670 007	Handle		
10	4		Screw, pan head, M5x25, T-25, black		
11	2	0558 102 999	Cover, screw, blind hole		
12	1		Base, Rogue EM/EMP (no label)		
13	1		Baffle, center, Rouge EM/EMP		
14	1	0558 111 140	Panel, front, EM/EMP		
15	1	0558 111 153	Panel, mount, mains, rotary, EM/EMP/ET		
16	2		Bracket, baffle, center, Rouge EM/EMP		
17	2	0558 111 148	Cover, panel, access, F/R, EM/EMP/ET		
18	2	0558 111 144	Handle, cover, top, EM/EMP/ ET		
19	10		Screw, pan head, M4x8, T-20, black		
20	2	0558 111 151	Hinge, door, EM/EMP		
21	1	0558 111 149	Panel, louver, IP, EM/EMP		
22	1		Cover, output, weld		
23	1		Cover, access, bulkhead		

1 SPARE PARTS

C = Component designation in the circuit diagram					
Item	Qty	Ordering no.	Denomination	Notes	C
24	1	0558 111 152	Latch, door, EM/EMP		
25	1	0558 111 115	Label, side, Rogue		
26	1	0558 111 099	Label, par. chart, door	Rogue EM 125	
		0558 111 100		Rogue EM 140	
27	1	0558 111 114	Label, side, ESAB		
28	1		Label, rating		
29	1	0558 111 096	Label, general precautionary, CSA		
30	1		Label, gas, rear, lower, 125/140		
31	1	0558 811 117	Label, mains, rear, upper		
32	1		Label, polarity, remote, front, lower		

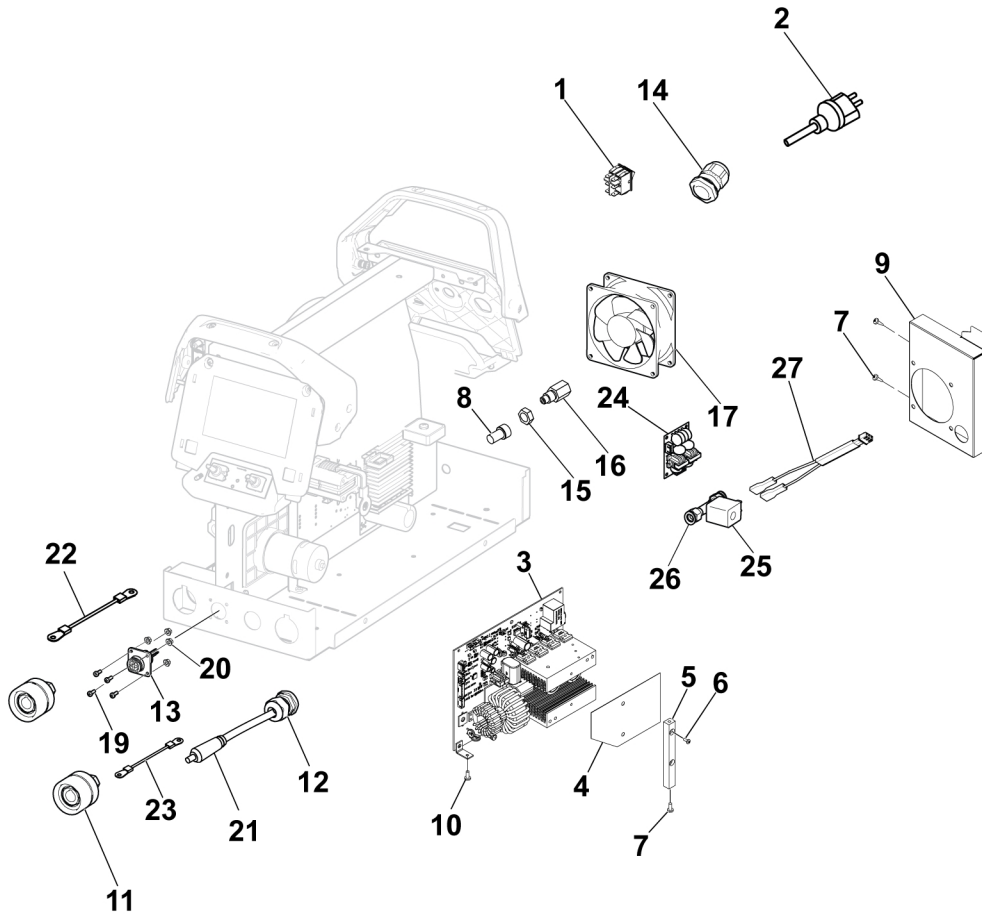


## 1.2 Connection parts

<b>C = Component designation in the circuit diagram</b>					
<b>Item</b>	<b>Qty</b>	<b>Ordering no.</b>	<b>Denomination</b>	<b>Notes</b>	<b>C</b>
1	1	0558 103 006	Switch, power, 30 A/250 V (with cover)		SW1
2	1	0558 102 995	Cable, mains, SOOW, 600 V, 3C/14 AWG (w/plug)		
3	1	0558 102 984	PCBA, control, main		15AP1
4	1		Baffle, air, insulating		
5	1		Support, heat sink, PVC		
6	1		Screw, pan head, M4x12, T-20, black		
7	10		Screw, pan head, ST 4.2x9.5F, T-20, black		
8	1	0558 103 007	Fitting, joint, tracheal	Rogue EM 125	
		0558 102 980		Rogue EM 140	
9	1		Bracket, mounting, fan		
10	1		Screw, pan head, M4x8, T-20, black		
11	2	0464 671 004	Connector, OKC, female, 50 mm <sup>2</sup>	Rogue EM 140	
		0558 103 005	Connector, OKC, female, 25 mm <sup>2</sup>	Rogue EM 125	
12	1	0558 102 976	Connector, relief, strain, reversing, polarity		
13	1	0558 102 975	Receptacle, w/harness, trigger, 8-pin	Rogue EM 140	
14	1	0464 674 002	Gland, cable, mains		
15	1	0558 102 989	Nut, brass, M14x1.5		
16	1	0558 102 990	Fitting, gas, female, 5/8"-18 RH		
17	1	0558 102 987	Fan, w/ leads		
19	4		Screw, pan head, M3x8, T-10, black	Rogue EM 140	
20	4		Nut, hex, M3	Rogue EM 140	
21	1	0558 102 988	Cable, reversing, polarity, male, 25 mm <sup>2</sup>	Rogue EM 125	
		0558 102 957		Rogue EM 140	
22	1	0558 103 013	Lead, weld, negative, 7 AWG/10 mm <sup>2</sup> , 200 mm		
23	1	0558 103 012	Lead, weld, positive, 7 AWG/10 mm <sup>2</sup> , 350 mm		
24	1	0558 102 973	PCBA, remote, filter	Rogue EM 140	21AP1

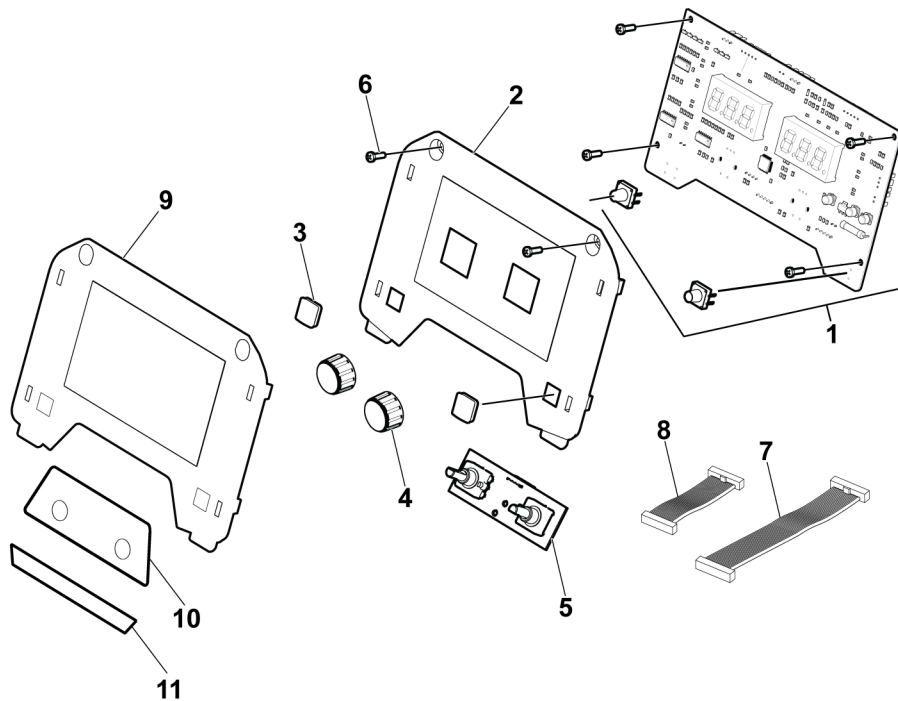
1 SPARE PARTS

C = Component designation in the circuit diagram					
Item	Qty	Ordering no.	Denomination	Notes	C
25	1	0558 102 977	Valve, gas, 24 VDC, 0.8 MPa (116psi)	Rogue EM 140	GV1
26	2	0558 102 979	Fitting, joint, tracheal, male	Rogue EM 140	
27	1	0558 102 958	Lead set, valve, gas	Rogue EM 140	



### 1.3 User interface

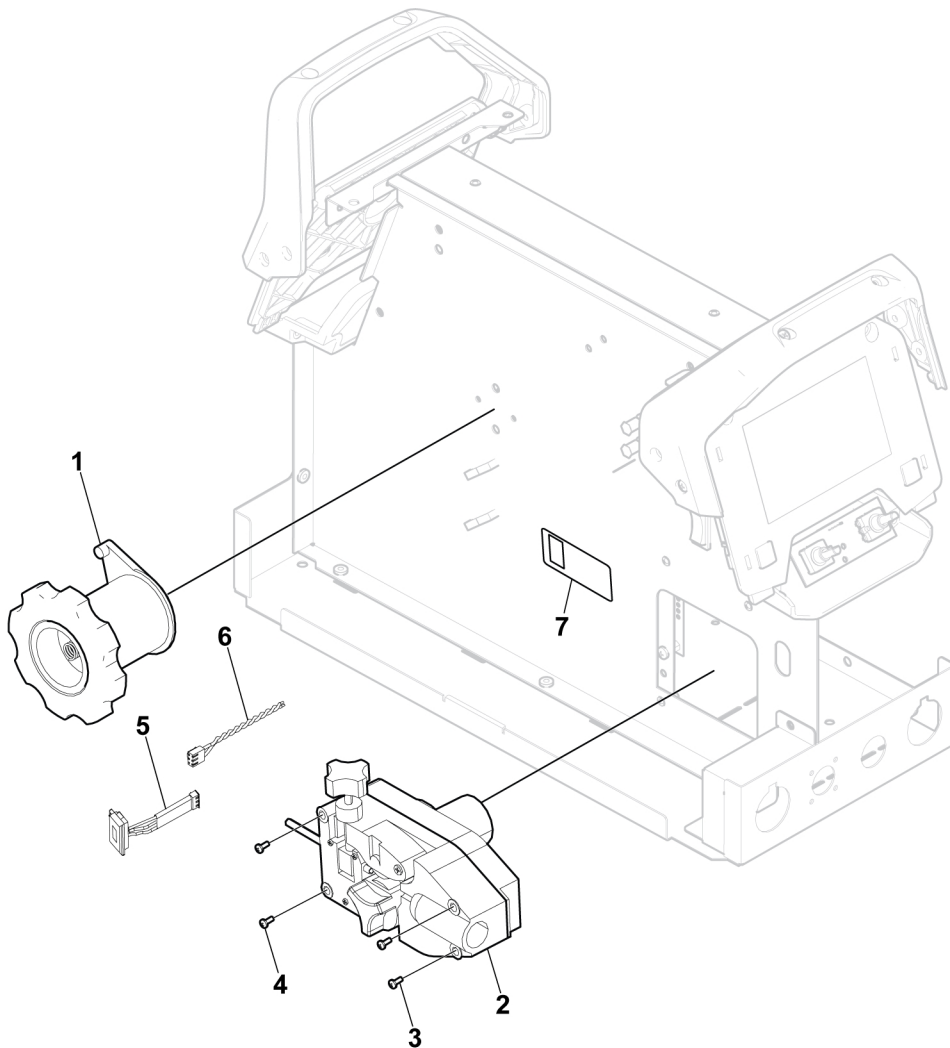
C = Component designation in the circuit diagram					
Item	Qty	Ordering no.	Denomination	Notes	C
1	1	0558 102 985	PCBA, control, UI, EM 125/140		1AP1
2	1	0558 111 155	Panel, mount, UI, EM		
3	2	0464 672 003	Cover, button, push, rubber		
4	2	0464 672 004	Knob, control, Rogue		
5	1	0558 102 986	PCBA, control, encoder		1AP2
6	2		Screw, pan head, M5x25, T-25, black		
7	1	0558 102 992	Cable, ribbon, 5P	Connection: 1AP1 to 15AP1 Rogue EM 125	
				Connection: 15AP1 to 1AP1 Rogue EM 140	
8	1	0558 102 991	Cable, ribbon, 7P	Connection: 1AP1 to 1AP2	
9	1	0558 111 130	Label, user interface 125		
		0558 111 131	Label, user interface 140		
10	1		Label, encoder, front		
11	1		Label, Rogue EM125/140		





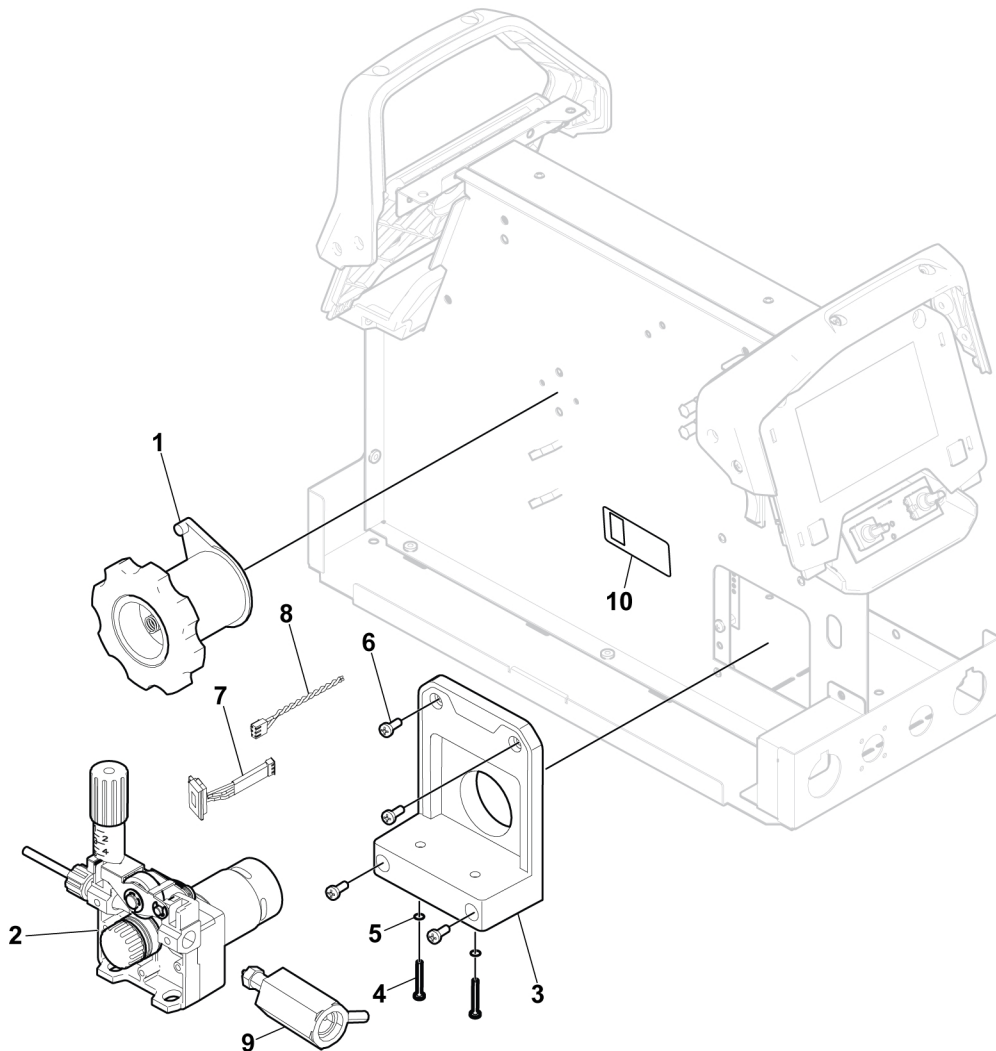
## 1.4 Spool hub assembly Rogue EM 125

C = Component designation in the circuit diagram					
Item	Qty	Ordering no.	Denomination	Notes	C
1	1	0558 103 001	Spool hub assembly		
2	1	0558 103 004	Gear box, drive, wire, w/motor and drive		M1
3	2		Screw, pan head, ST 4.8x50 F,T-25, black		
4	2		Screw, pan head, ST 4.8x38 F, T-25, black		
5	2	0558 102 994	Switch, rocker, momentray, inching, 1P/1T, w/leads 1		SW2
6	4	0558 102 993	Harness, drive, wire		
7	1		Label, caution, jog/purge		



## 1.5 Spool hub assembly Rogue EM 140

C = Component designation in the circuit diagram					
Item	Qty	Ordering no.	Denomination	Notes	C
1	1	0558 103 001	Spool hub assembly		
2	1	0558 102 981	Gear box, drive, wire, w/motor and drive	Including harness	M1
3	1	0558 111 147	Support, stand, drive, EM/EMP, CSA		
4	2		Screw, pan head, M6x20, #2 Phillips, black		
5	2		Nut, locking, M6		
6	4		Screw, pan head, M5x12, T-27 Phillips, black		
7	1	0558 102 994	Switch, rocker, momentary, inch/purge, 2P/2T, w/leads		SW2
8	1	0558 102 974	Harness, drive, wire		
9	1	0558 102 982	Receptacle, torch, Tweco		
10	1		Label, caution, jog/purge		







# A WORLD OF PRODUCTS AND SOLUTIONS.



For contact information visit <http://esab.com>

ESAB AB, Lindholmsallén 9, Box 8004, 402 77 Gothenburg, Sweden, Phone +46 (0) 31 50 90 00

[manuals.esab.com](http://manuals.esab.com)

